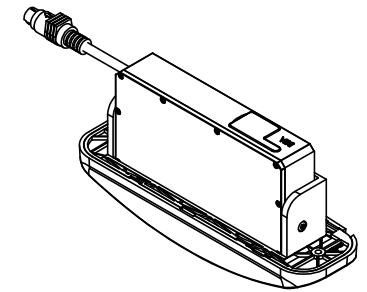
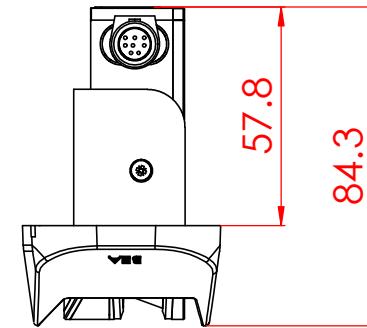
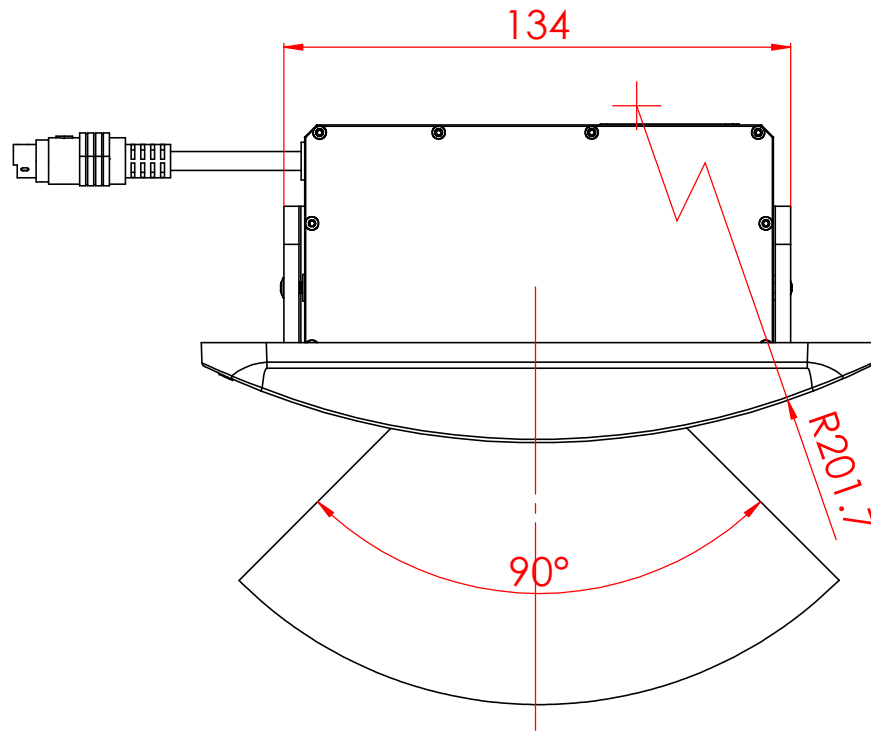
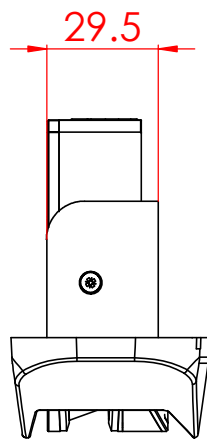
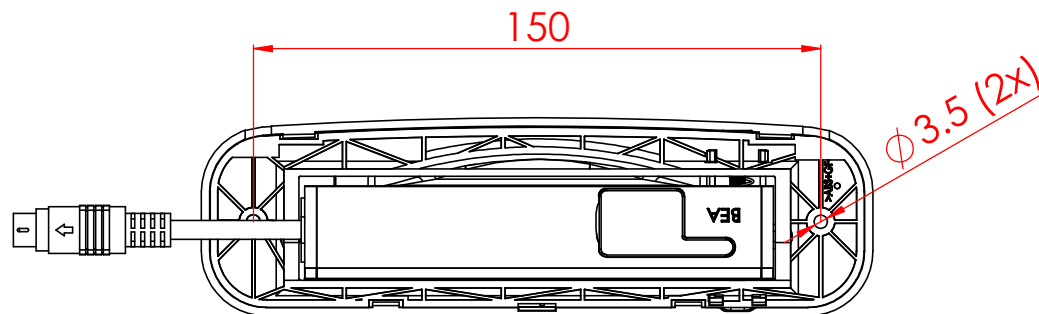


SCALE:1/2



SCALE:1/2



Part Volume : mm³ - Part Weight : gr		THIS DRAWING IS THE PROPERTY OF BEA AND MAY NOT BE REPRODUCED WITHOUT WRITTEN AGREEMENT			
<b>MODIFICATIONS LIST</b>					
Date:	By:	Description:	Ver.:	Rev.:	
2021/09/15	jjy	Change logo and product name, release as version 01 for product sl	-	-	-
-	-	-	-	-	-
-	-	-	-	-	-
-	-	-	-	-	-
		<b>PROD. NAME :</b> E445 FLATSCAN SL <b>TITLE :</b> ASSY PRODUCT <b>GENERAL TOLERANCE :</b> - <b>MATERIAL :</b> - Objet Ver.Obj Doc. Rev.Doc. Scale Size	<b>TREATMENT :</b> - 1:1 A2	<b>DRAWER :</b> WGY <b>DATE :</b> 08/08/16 VERIFIED APPROVED	<b>PAGE :</b> 1 / 1

PDM Project : - File Name : 23616169 - Flatscan RD